

# Medical Sternum Saw



1. Adopt total new electric machinery of more sufficient power
2. Gear box of high precision reducing noise and making more stable performance in clinical
3. Sheath protection function capable of protecting breast parenchyma from damage

## I Common merits

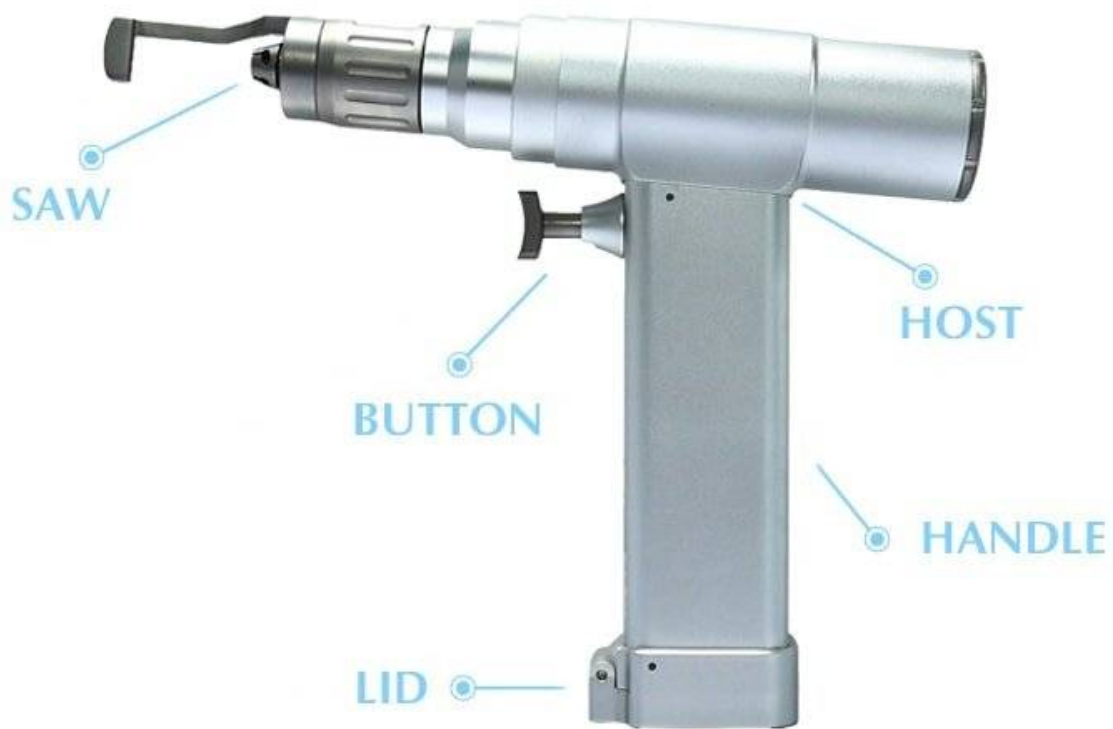
- 1) Autoclavable to 135 ° C with 1.6mpa, in which way the bacilli and virus will be killed
- 2) NI-MH battery will be friendly to human environment
- 3) Whole power is steady with low noise in operation

## II Merits for mainframe

- 1) handpiece can drive a variety quick connects
- 2) attachments can be replaced easily
- 3) 360° Rotating
- 4) high-strength stainless steel makes main parts

## III Merits for multifunction system

- 1) Mainframe is made of Aluminium, light weight, durable, long working time
- 2) Jacobs chuck ensures outstanding performance during operation
- 3) Sternum saw: Both 360° Rotating head and blade guard can protect soft tissue around sternum.
- 4) Craniotomy mill: 40000r. P. M rates assure fast, efficient and safe process in craniotomy
- 5) Oscillating saw: 360° Rotating head can be applied to any surgical Sites. Wrenchless collect allows for easy, fast and safe loading and unloading blades
- 6) Reamer: Hi-torque, ideal for acetabulum or medullary operation available to all brands mill universal
- 7) Wire and pin chuck: With a cannula diameter 4.0mm applied to various intramedullary pin or Kirschner pin fixing operation easily and conveniently
- 8) cranial drill: Auto-pause offer perforation ensures safety in neurosurgery.
- 10) Perfect ergonomic design
- 11) can meet different kinds of surgery operation



Hand piece	working voltage	14.4 V
	Output power	$\geq 20$ W
	unit rise in temp	$\leq 25^{\circ}\text{C}$
Charger	Input voltage	AC 220V,50HZ/ 110V,60HZ
	Output power	14.4v 900ma
	Input power	30 W
Battery	voltage	14.4 V
	charging time	3 hours