

CE

WYK5

Shadowless Operating Light



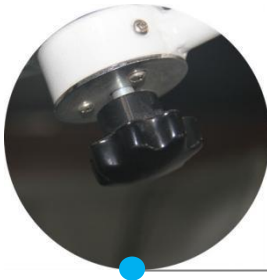
User-friendly and Best Value for Money



CAD/CAM designed multi-angle reflectors, eliminate shadows from the surgeons heads and hands



Switch on/off switch in supporting tube



Light focusing adjustment knob



Brightness adjustment in the base

WYK5

Shadowless Operating Light

Premium Quality, Surprising Price

WYK5

Shadowless Operating Light

General Features

High-intensity of 50,000 lux at 1 meter;

4 000K color temperature offers natural and true coloring;

Uses five halogen bulbs – each rated with a 2000-hour bulb life; bulbs wired in parallel for continuous operation;

Extremely smooth focus mechanism with centre handle;

Cool operation for long hours of use;

Two silence brakes for safety use;

Last for 3-5 hours with optional storage battery capacity 2600mah*2;

Steady and smooth movement of the light head;

Durable and cost-efficient.

Technical Specifications

Illumination: 60,000 lux

Color temperature: 4000±500K

Color rendering index: 85%

Light field size: 150±35mm

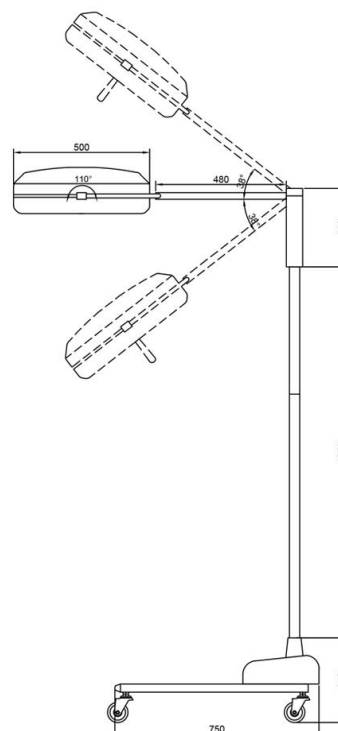
Illumination depth: 450mm

Qty of light bulbs: 5 pcs

Bulb power: 24V/25W

Diameter of lamp head: 500mm

Temperature rise at surgeon's head: Less than 5°C



All the measurement is millimetre.