

CE

WYJ-1

LED Medical Examination Light





WYJ-1

LED Medical Examination Light

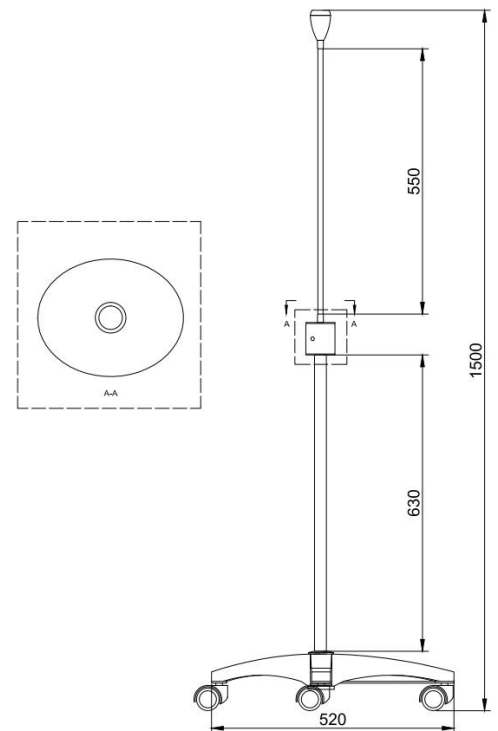
It's the best choice for inspection, gynaecology, ENT and minor surgery.

General Features

- Deliver bright white cool light;
- Osram LED lighting, service life over 50,000 hours;
- Temperature rise at surgeon's head less than 0.5°C;
- Gooseneck arm can be bent in all directions;
- Five silent casters which can be easily move from a room to another room;
- Lightweight and portable;
- Easy to install.

Technical Specifications

- Illumination: 10,000 lux at 50cm distance
- Light field size: 8cm
- LED lighting power: 1W each
- LED lighting quantity: 1 pc
- Bulb service life: Over 50,000 hours
- Color of light body: Black



All measurement is in millimeter.